

A2 Single Compression Seal - Cable PVC/LSF Gland



A2 Single Compression Seal Cable Gland

A2 type brass cable gland for use with all types of unarmoured cable. Suitable for most climatic conditions, weatherproof and waterproof.

- > Single compression gland, providing mechanical cable retention and an environmental seal on outer sheath to IP-66, 67 and 68.
- > **Cable Gland Kit Consists:** Brass Gland, Locknut, PVC Shroud and Sealing Washer. For Gland sizes M20/16 to M25 includes two components per kit and M32 and above contains one component per kit.
- > **Cable Gland Kit Consists:** Brass Gland, Locknut, LSF Shroud and Sealing Washer. For Gland sizes M20/16 to M25 includes two components per kit and M32 and above contains one component per kit.

Technical Specification

Threading

Standard

Ingress Protection Rating

Cable Type

Material

Continuous Operating Temp

Optional

Metric

BS 6121:2005 & EN 62444:2013 – TUV Certified (Visit Website: www.certipedia.com)

IP66, 67 and 68

Unarmoured

Brass CuZn39Pb3 (CW614N) to EN12168

PVC (-20°C to +90°C) / LSF (-20° to +130°C)

Plated Glands available upon request

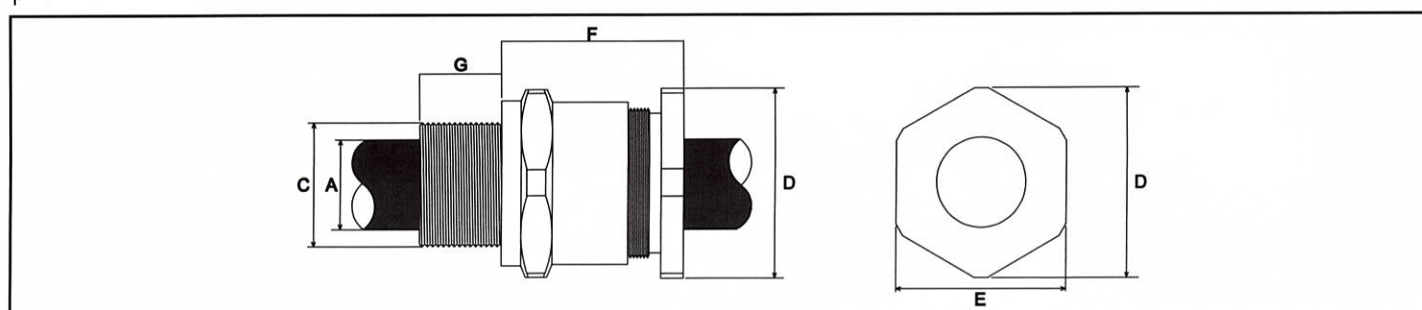


Cable Gland Selection Table

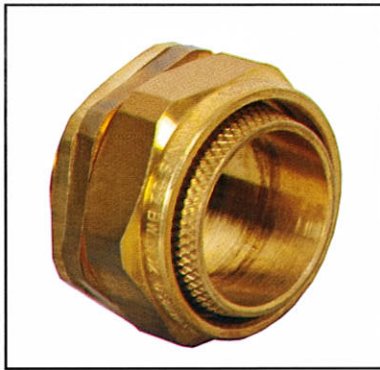
Cable Gland Size	Entry Thread 'C'		Option	Minimum Thread Length 'G'	Cable Bedding Diameter 'A'		Across Flat 'E'	Across Corners 'D'	Nominal Protrusion Length 'F'	Ordering Reference PVC	Ordering Reference LSF
	Metric	NPT			Max	Max	Min	Max			
20S/16	M20	1/2"	3/4"	10	3.1	8.7	24	26.6	21	20S16A21BI	20S16A21LSBI
20S	M20	1/2"	3/4"	10	6.1	11.7	24	26.6	21	20SA21BI	20SA21LSBI
20	M20	1/2"	3/4"	10	6.5	14	27	30	24	20A21BI	20A21LSBI
25	M25	3/4"	1"	10	11.1	20	36	39.9	26	25A21BI	25A21LSBI
32	M32	1"	1 1/4"	10	17	26.3	41	45.5	27	32A21BI	32A21LSBI
40	M40	1 1/4"	1 1/2"	10	23.5	32.2	50	55.4	28	40A21BI	40A21LSBI
50S	M50	1 1/2"	2"	15	31	38.2	55	61	29	50SA21BI	50SA21LSBI
50	M50	2"	2 1/2"	15	35.6	44.1	60	66.5	30	50A21BI	50A21LSBI
63S	M63	2"	2 1/2"	15	41.5	50	70	77.6	30	63SA21BI	63SA21LSBI
63	M63	2 1/2"	3"	15	47.2	56	75	83.2	30	63A21BI	63A21LSBI
75S	M75	2 1/2"	3"	15	54	62	80	88.7	32	75SA21BI	75SA21LSBI
75	M75	3"	3 1/2"	15	61.1	68	85	94.2	32	75A21BI	75A21LSBI

Dimensions are displayed in millimeters unless otherwise stated. M85 and M90 available upon request

Disclaimer: The dimensions provided are for guidance only and BICC Components Ltd reserves the right to change these without prior notification.



BW Industrial Cable Gland



BW Industrial Cable Gland

BW type brass gland, for indoor use with Steel Wire Armoured (SWA) cable.

- > Provides mechanical cable retention & electrical continuity via armoured wire termination.
- > Permanently crimped, low impedance earth termination.
- > **Cable Gland Kit Consists:** Brass Gland, Locknut, Earhtag and PVC Shroud. For Gland sizes M20/16 to M25 includes two components per kit and M32 and above contains one component per kit.
- > **Cable Gland Kit Consists:** Brass Gland, Locknut, Earhtag and LSF Shroud. For Gland sizes M20/16 to M25 includes two components per kit and M32 and above contains one component per kit.

Technical Specification

Threading

Standard

Ingress Protection Rating

Cable Type

Material

Continuous Operating Temp

Optional

Metric

BS 6121:2005 – TUV Certified (Visit Website: www.certipedia.com)

IP 2X (Gland Only) IP54 (Gland with Shroud)

Steel Wire Armour (SWA)

Brass CuZn39Pb3 (CW614N) to EN12168

PVC (-20°C to +90°C) / LSF (-20° to +130°C)

Plated Glands available upon request

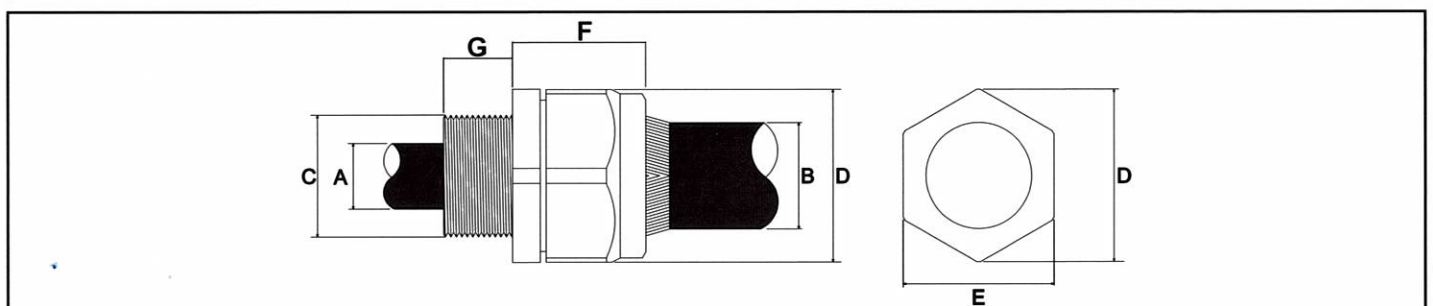


Cable Gland Selection Table

Cable Gland Size	Entry Thread 'C'	Minimum Thread Length 'G'	Cable Bedding Diameter 'A'		Overall Cable Diameter 'B'		Armour Range		Across Flat 'E'	Across Corners 'D'	Nominal Protrusion Length 'F'	Ordering Reference PVC	Ordering Reference LSF
			Max	Max	Min	Max	Max	Max					
20S	M20	10	11.7	16.1	0.9	1.25	22	24	18	20SBW1BI	20SBW1LSBI		
20	M20	10	14	21.1	0.9	1.25	28	30	22	20BW1BI	20BW1LSBI		
25	M25	10	20	27.4	1.25	1.6	33.6	36	26	25BW1BI	25BW1LSBI		
32	M32	10	26.3	34.4	1.6	2	41	44.5	28	32BW1BI	32BW1LSBI		
40	M40	10	32.2	42.4	1.6	2	50	56.3	30	40BW1BI	40BW1LSBI		
50S	M50	15	38.2	50.1	2	2.5	57.1	63.4	30	50SBW1BI	50SBW1LSBI		
50	M50	15	44.1	55.7	2	2.5	61	72.1	32	50BW1BI	50BW1LSBI		
63S	M63	15	50	62.4	2.5	2.5	75	83	38	63SBW1BI	63SBW1LSBI		
63	M63	15	56	68.2	2.5	2.5	80	88.7	38	63BW1BI	63BW1LSBI		
75S	M75	15	62	76.8	2.5	2.5	90	99.8	40	75SBW1BI	75SBW1LSBI		
75	M75	15	75	82.9	2.5	3.15	95	105.3	40	75BW1BI	75BW1LSBI		

Dimensions are displayed in millimeters unless otherwise stated. M85 and M90 available upon request.

Disclaimer: The dimensions provided are for guidance only and BICC Components Ltd reserves the right to change these without prior notification.



BW Aluminium Cable Gland



BW Aluminium Cable Gland

BW type aluminium gland, for indoor use with Aluminium Wire Armoured (AWA) cable.

- > Provides mechanical cable retention & electrical continuity via armoured wire termination.
- > Permanently crimped, low impedance earth termination.
- > **Cable Gland Kit Consists:** Aluminium Gland, Locknut, Earhtag and PVC Shroud. For Gland sizes M20/16 to M25 includes two components per kit and M32 and above contains one component per kit.
- > **Cable Gland Kit Consists:** Aluminium Gland, Locknut, Earhtag and LSF Shroud. For Gland sizes M20/16 to M25 includes two components per kit and M32 and above contains one component per kit.

Technical Specification

Threading

Standard

Ingress Protection Rating

Cable Type

Material

Continuous Operating Temp

Metric

BS 6121:2005 – TUV Certified (Visit Website: www.certipedia.com)

IP 2X (Gland Only) IP54 (Gland with Shroud)

Aluminium Wire Armour (AWA)

HE30/6082 Extruded Aluminium Alloy

PVC (-20°C to +90°C) / LSF (-20° to +130°C)

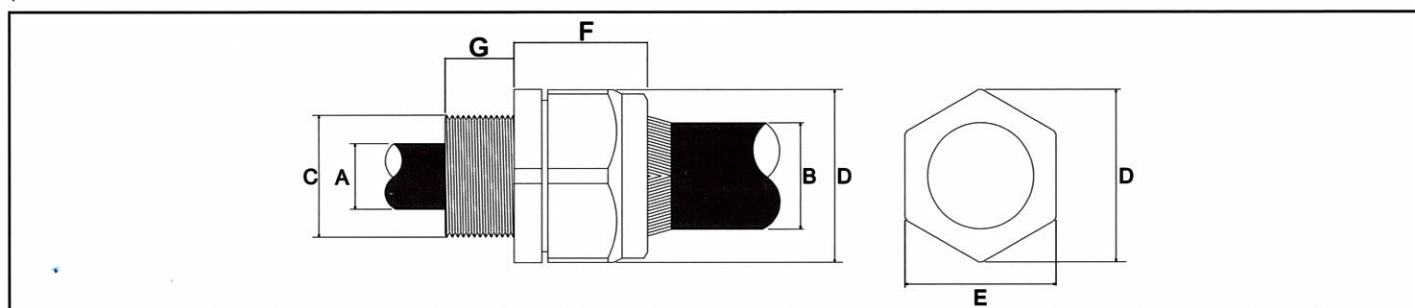


Cable Gland Selection Table

Cable Gland Size	Entry Thread 'C'	Minimum Thread Length 'G'	Cable Bedding Diameter 'A'	Overall Cable Diameter 'B'	Armour Range		Across Flat 'E'	Across Corners 'D'	Nominal Protrusion Length 'F'	Ordering Reference PVC	Ordering Reference LSF
			Max	Max	Min	Max	Max	Max			
20S	M20	10	11.7	16.1	0.9	1.25	22	24	18	AL20SBW1BI	AL20SBW1LSBI
20	M20	10	14	21.1	0.9	1.25	28	30	22	AL20BW1BI	AL20BW1LSBI
25	M25	10	20	27.4	1.25	1.6	33.6	36	26	AL25BW1BI	AL25BW1LSBI
32	M32	10	26.3	34.4	1.6	2	41	44.5	28	AL32BW1BI	AL32BW1LSBI
40	M40	10	32.2	42.4	1.6	2	50	56.3	30	AL40BW1BI	AL40BW1LSBI
50S	M50	15	38.2	50.1	2	2.5	57.1	63.4	30	AL50SBW1BI	AL50SBW1LSBI
50	M50	15	44.1	55.7	2	2.5	61	72.1	32	AL50BW1BI	AL50BW1LSBI
63S	M63	15	50	62.4	2.5	2.5	75	83	38	AL63SBW1BI	AL63SBW1LSBI
63	M63	15	56	68.2	2.5	2.5	80	88.7	38	AL63BW1BI	AL63BW1LSBI
75S	M75	15	62	76.8	2.5	2.5	90	99.8	40	AL75SBW1BI	AL75SBW1LSBI
75	M75	15	75	82.9	2.5	3.15	95	105.3	40	AL75BW1BI	AL75BW1LSBI

Dimensions are displayed in millimeters unless otherwise stated.

Disclaimer: The dimensions provided are for guidance only and BICC Components Ltd reserves the right to change these without prior notification.



CW Single Compression Seal - Cable PVC/LSF Gland



CW Single Compression Seal Cable Gland

CW type brass cable gland for use with all types of armoured cables.

- > Single compression gland, providing mechanical cable retention and electrical continuity via armoured wire termination. Environmental seal on the outer sheath to IP 66.
- > **Cable Gland Kit Consists:** Brass Gland, Locknut, Earthtag, PVC Shroud and Sealing Washer. For Gland sizes M20/16 to M25 includes two components per kit and M32 and above contains one component per kit.
- > **Cable Gland Kit Consists:** Brass Gland, Locknut, Earthtag, LSF Shroud and Sealing Washer. For Gland sizes M20/16 to M25 includes two components per kit and M32 and above contains one component per kit.

Technical Specification

Threading

Standard

Ingress Protection Rating

Cable Type

Material

Continuous Operating Temp

Optional

Metric

BS 6121:2005 & EN 62444:2013 – TUV Certified (Visit Website: www.certipedia.com)

IP66 with the use of suitable sealing washer or thread sealant at gland interface.

Steel Wire Armour (SWA)

Brass CuZn39Pb3 (CW614N) to EN12168

PVC (-20°C to +90°C) / LSF (-20° to +130°C)

Plated Glands available upon request

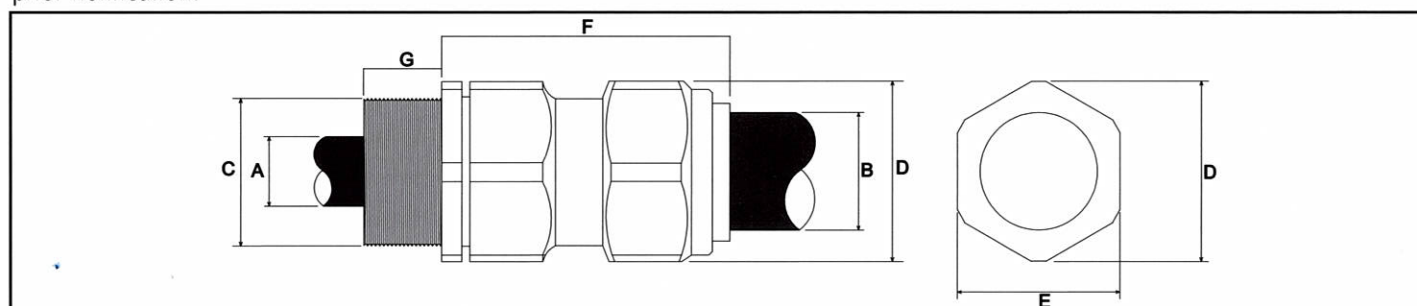


Cable Gland Selection Table

Cable Gland Size	Entry Thread 'C'	Minimum Thread Length 'G'	Cable Bedding Diameter 'A'	Overall Cable Diameter 'B'		Armour Range		Across Flat 'E'	Across Corners 'D'	Nominal Protrusion Length 'F'	Ordering Reference PVC	Ordering Reference LSF
				Max	Min	Max	Min	Max	Max			
20S/16	M20	10	8.7	6.1	11.5	0.9	1	24	26.6	43	20S16CW1BI	20S16CW1LSBI
20S	M20	10	11.7	9.5	15.9	0.9	1.25	24	26	43	20SCW1BI	20SCW1LSBI
20	M20	10	14	12.5	20.9	0.9	1.25	30.5	33.3	50	20CW1BI	20CW1LSBI
25	M25	10	20	18.2	26.2	1.25	1.6	36	40	55	25CW1BI	25CW1LSBI
32	M32	10	26.3	23.7	33.9	1.6	2	46	51	55	32CW1BI	32CW1LSBI
40	M40	10	32.2	27.9	40.4	1.6	2	55	61	55	40CW1BI	40CW1LSBI
50S	M50	15	38.2	35.2	46.7	2	2.5	60	66.5	56	50SCW1BI	50SCW1LSBI
50	M50	15	44.1	40.4	53.1	2	2.5	70.1	78.6	70	50CW1BI	50CW1LSBI
63S	M63	15	50	45.6	59.4	2	2.5	75	83.2	70	63SCW1BI	63SCW1LSBI
63	M63	15	56	54.6	65.9	2	2.5	80	89	80	63CW1BI	63CW1LSBI
75S	M75	15	62	59	72.1	2	2.5	90	101.6	81	75SCW1BI	75SCW1LSBI
75	M75	15	68	66.7	78.5	2	2.5	100	111.1	96	75CW1BI	75CW1LSBI

Dimensions are displayed in millimeters unless otherwise stated. M85 and M90 available upon request.

Disclaimer: The dimensions provided are for guidance only and BICC Components Ltd reserves the right to change these without prior notification.



CW Single Compression Seal Aluminium - Cable PVC/LSF Gland



CW Single Compression Seal Aluminium Cable Gland

CW type Aluminium cable gland for use with Aluminium Wire Armoured Cable (AWA).

- > Single compression gland, providing mechanical cable retention and electrical continuity via armoured wire termination. Environmental seal on the outer sheath to IP 66.
- > **Cable Gland Kit Consists:** Aluminium Gland, Locknut, Earhtag, PVC Shroud and Sealing Washer. For Gland sizes M20/16 to M25 includes two components per kit and M32 and above contains one component per kit.
- > **Cable Gland Kit Consists:** Aluminium Gland, Locknut, Earhtag, LSF Shroud and Sealing Washer. For Gland sizes M20/16 to M25 includes two components per kit and M32 and above contains one component per kit.

Technical Specification

Threading Standard
Ingress Protection Rating
Cable Type
Material
Continuous Operating Temp

Metric
BS 6121:2005 & EN 62444:2013 – TUV Certified (Visit Website: www.certipedia.com)
IP66 with the use of suitable sealing washer or thread sealant at gland interface.
Aluminium Wire Armoured (AWA)
HE30/6082 Extruded Aluminium Alloy
PVC (-20°C to +90°C) / LSF (-20° to +130°C)

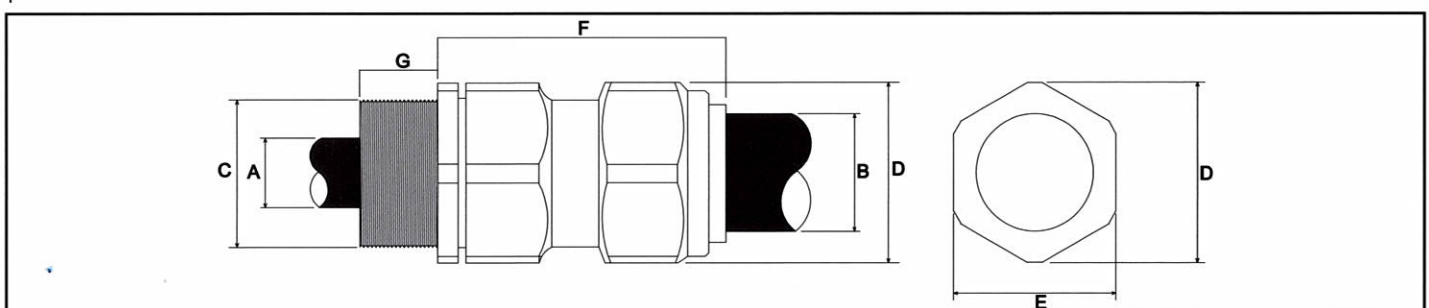


Cable Gland Selection Table

Cable Gland Size	Entry Thread 'C'	Minimum Thread Length 'G'	Cable Bedding Diameter 'A'	Overall Cable Diameter 'B'		Armour Range		Across Flat 'E'	Across Corners 'D'	Nominal Protrusion Length 'F'	Ordering Reference PVC	Ordering Reference LSF
				Max	Min	Max	Min	Max	Max			
20S/16	M20	10	8.7	6.1	11.5	0.9	1	24	26.6	43	AL20S16CW1BI	AL20S16CW1LSBI
20S	M20	10	11.7	9.5	15.9	0.9	1.25	24	26	43	AL20SCW1BI	AL20SCW1LSBI
20	M20	10	14	12.5	20.9	0.9	1.25	30.5	33.3	50	AL20CW1BI	AL20CW1LSBI
25	M25	10	20	18.2	26.2	1.25	1.6	36	40	55	AL25CW1BI	AL25CW1LSBI
32	M32	10	26.3	23.7	33.9	1.6	2	46	51	55	AL32CW1BI	AL32CW1LSBI
40	M40	10	32.2	27.9	40.4	1.6	2	55	61	55	AL40CW1BI	AL40CW1LSBI
50S	M50	15	38.2	35.2	46.7	2	2.5	60	66.5	56	AL50SCW1BI	AL50SCW1LSBI
50	M50	15	44.1	40.4	53.1	2	2.5	70.1	78.6	70	AL50CW1BI	AL50CW1LSBI
63S	M63	15	50	45.6	59.4	2	2.5	75	83.2	70	AL63SCW1BI	AL63SCW1LSBI
63	M63	15	56	54.6	65.9	2	2.5	80	89	80	AL63CW1BI	AL63CW1LSBI
75S	M75	15	62	59	72.1	2	2.5	90	101.6	81	AL75SCW1BI	AL75SCW1LSBI
75	M75	15	68	66.7	78.5	2	2.5	100	111.1	96	AL75CW1BI	AL75CW1LSBI

Dimensions are displayed in millimeters unless otherwise stated.

Disclaimer: The dimensions provided are for guidance only and BICC Components Ltd reserves the right to change these without prior notification.



E1W Double Compression Seal - Cable PVC/LSF Gland



E1W Double Compression Seal Cable Gland

E1W type brass cable gland for use with all types of armoured cables. Suitable for most climatic conditions, weatherproof and waterproof.

- > Double compression gland, providing mechanical cable retention and electrical continuity via armoured wire termination. Environmental seal on the outer sheath to IP 66.
- > Controlled outer load retention seal.
- > **Cable Gland Kit Consists:** Brass Gland, Locknut, Earthtag, PVC Shroud and Sealing Washer. For Gland sizes M20/16 to M25 includes two components per kit and M32 and above contains one component per kit.
- > **Cable Gland Kit Consists:** Brass Gland, Locknut, Earthtag, LSF Shroud and Sealing Washer. For Gland sizes M20/16 to M25 includes two components per kit and M32 and above contains one component per kit.

Technical Specification

Threading

Standard

Ingress Protection Rating

Cable Type

Material

Continuous Operating Temp

Optional

Metric

BS 6121:2005 & EN 62444:2013 – TUV Certified (Visit Website: www.certipedia.com)

IP66 with the use of suitable sealing washer or thread sealant at gland interface.

Steel Wire Armor (SWA)

Brass CuZn39Pb3 (CW614N) to EN12168

PVC (-20°C to +90°C) / LSF (-20° to +130°C)

Plated Glands available upon request

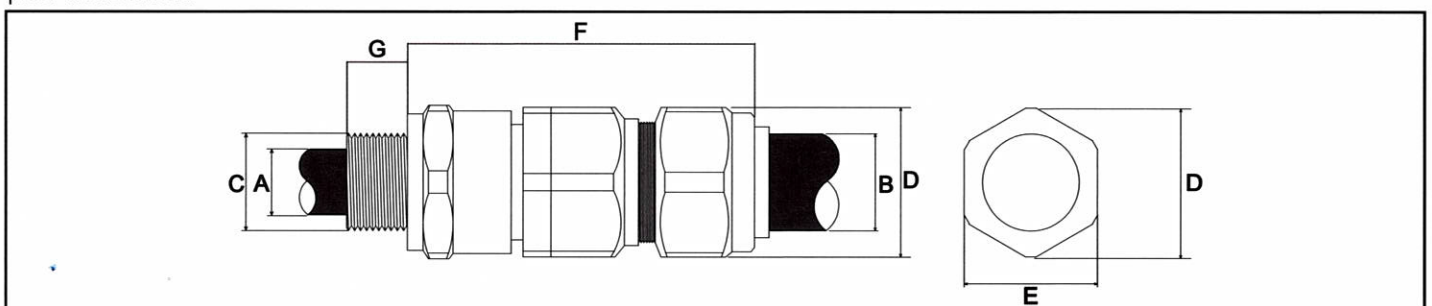


Cable Gland Selection Table

Cable Gland Size	Entry Thread 'C'		Option NPT	Minimum Thread Length 'G'	Cable Bedding Diameter 'A'		Overall Cable Diameter 'B'		Armour Range		Across Flat 'E'	Across Corners 'D'	Nominal Protrusion Length 'F'	Ordering Reference PVC	Ordering Reference LSF
	Metric	NPT			Min	Max	Min	Max	Min	Max					
20S/16	M20	1/2"	3/4"	10	3.1	8.7	6.1	11.5	0.9	1	24	26.6	63	20S16E1W1BI	20S16E1W1LSBI
20S	M20	1/2"	3/4"	10	6.1	11.7	9.5	15.9	0.9	1.25	24	26	63	20SE1W1BI	20SE1W1LSBI
20	M20	1/2"	3/4"	10	6.5	14	12.5	20.9	0.9	1.25	30.5	33.3	67	20E1W1BI	20E1W1LSBI
25	M25	3/4"	1"	10	11.1	20	18.2	26.2	1.25	1.6	37.5	40.5	78	25E1W1BI	25E1W1LSBI
32	M32	1"	1 1/4"	15	17	26.3	23.7	33.9	1.6	2	46	51	78	32E1W1BI	32E1W1LSBI
40	M40	1 1/4"	1 1/2"	10	22	32.2	27.9	40.4	1.6	2	55	61	83	40E1W1BI	40E1W1LSBI
50S	M50	1 1/2"	2"	15	29.5	38.2	35.2	46.7	2	2.5	60	66.5	78	50SE1W1BI	50SE1W1LSBI
50	M50	2"	2 1/2"	15	35.6	44.1	40.4	53.1	2	2.5	70.1	78.6	81	50E1W1BI	50E1W1LSBI
63S	M63	2"	2 1/2"	15	40.1	50	45.6	59.4	2	2.5	75	83.2	93	63SE1W1BI	63SE1W1LSBI
63	M63	2 1/2"	3"	15	47.2	56	54.6	65.9	2	2.5	80	89	95	63E1W1BI	63E1W1LSBI
75S	M75	2 1/2"	3"	15	52.8	62	59	72.1	2	2.5	89	101.6	103	75SE1W1BI	75SE1W1LSBI
75	M75	3"	3 1/2"	15	59.1	68	66.7	78.5	2	2.5	99	111.1	110	75E1W1BI	75E1W1LSBI

Dimensions are displayed in millimeters unless otherwise stated. M85 and M90 available upon request.

Disclaimer: The dimensions provided are for guidance only and BICC Components Ltd reserves the right to change these without prior notification.



E1W Double Compression Seal Aluminium - Cable PVC/LSF Gland



E1W Double Compression Seal Aluminium Cable Gland

E1W type aluminium cable gland for use with all types of armoured cables. Suitable for most climatic conditions, weatherproof and waterproof.

- > Double compression gland, providing mechanical cable retention and electrical continuity via armoured wire termination. Environmental seal on the outer sheath to IP 66.
- > Controlled outer load retention seal.
- > **Cable Gland Kit Consists:** Aluminium Gland, Locknut, Earhtag, PVC Shroud and Sealing Washer. For Gland sizes M20/16 to M25 includes two components per kit and M32 and above contains one component per kit.
- > **Cable Gland Kit Consists:** Aluminium Gland, Locknut, Earhtag, LSF Shroud and Sealing Washer. For Gland sizes M20/16 to M25 includes two components per kit and M32 and above contains one component per kit.

Technical Specification

Threading Standard
Ingress Protection Rating
Cable Type
Material
Continuous Operating Temp

Metric
BS 6121:2005 & EN 62444:2013 – TUV Certified (Visit Website: www.certipedia.com)
IP66 with the use of suitable sealing washer or thread sealant at gland interface.
Aluminium Wire Armoured (AWA)
HE30/6082 Extruded Aluminium Alloy
PVC (-20°C to +90°C) / LSF (-20° to +130°C)

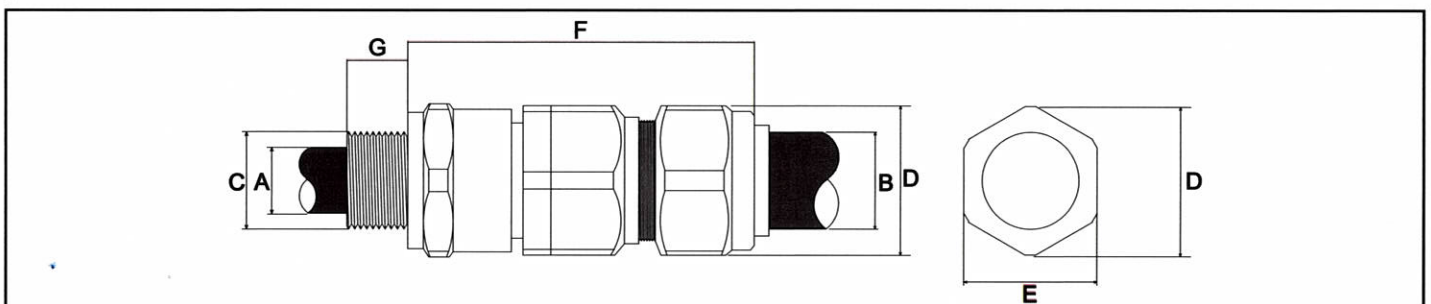


Cable Gland Selection Table

Cable Gland Size	Entry Thread 'C'		Option	Minimum Thread Length 'G'	Cable Bedding Diameter 'A'		Overall Cable Diameter 'B'		Armour Range		Across Flat 'E'	Across Corners 'D'	Nominal Protrusion Length 'F'	Ordering Reference PVC	Ordering Reference LSF
	Metric	NPT	NPT		Min	Max	Min	Max	Min	Max	Max	Max			
20S/16	M20	1/2"	3/4"	10	3.1	8.7	6.1	11.5	0.9	1	24	26.6	63	AL20S16E1W1BI	AL20S16E1W1LSBI
20S	M20	1/2"	3/4"	10	6.1	11.7	9.5	15.9	0.9	1.25	24	26	63	AL20SE1W1BI	AL20SE1W1LSBI
20	M20	1/2"	3/4"	10	6.5	14	12.5	20.9	0.9	1.25	30.5	33.3	67	AL20E1W1BI	AL20E1W1LSBI
25	M25	3/4"	1"	10	11.1	20	18.2	26.2	1.25	1.6	37.5	40.5	78	AL25E1W1BI	AL25E1W1LSBI
32	M32	1"	1 1/4"	15	17	26.3	23.7	33.9	1.6	2	46	51	78	AL32E1W1BI	AL32E1W1LSBI
40	M40	1 1/4"	1 1/2"	10	22	32.2	27.9	40.4	1.6	2	55	61	83	AL40E1W1BI	AL40E1W1LSBI
50S	M50	1 1/2"	2"	15	29.5	38.2	35.2	46.7	2	2.5	60	66.5	78	AL50SE1W1BI	AL50SE1W1LSBI
50	M50	2"	2 1/2"	15	35.6	44.1	40.4	53.1	2	2.5	70.1	78.6	81	AL50E1W1BI	AL50E1W1LSBI
63S	M63	2"	2 1/2"	15	40.1	50	45.6	59.4	2	2.5	75	83.2	93	AL63SE1W1BI	AL63SE1W1LSBI
63	M63	2 1/2"	3"	15	47.2	56	54.6	65.9	2	2.5	80	89	95	AL63E1W1BI	AL63E1W1LSBI
75S	M75	2 1/2"	3"	15	52.8	62	59	72.1	2	2.5	89	101.6	103	AL75SE1W1BI	AL75SE1W1LSBI
75	M75	3"	3 1/2"	15	59.1	68	66.7	78.5	2	2.5	99	111.1	110	AL75E1W1BI	AL75E1W1LSBI

Dimensions are displayed in millimeters unless otherwise stated.

Disclaimer: The dimensions provided are for guidance only and BICC Components Ltd reserves the right to change these without prior notification.



Copper Terminal - Straight Entry Type (SE)



Copper Terminal - Straight Entry Type (SE)

- > **Straight Entry:**
Our straight entry range allows cable insertion to be handled efficiently for the opening of the conductor.
- > **Inspection Hole:**
The unique design of the inspection hole, helps the conductor to insert fully. The stopper at the end of the insertion allows the conductor to place itself rightly inside the surface area of the crimp.
- > **Application:**
Suitable for low & medium voltage switch gear & control panel.

Technical Specification

Standard Material

IEC 61238-1 - TUV Certified (Visit Website: www.certipedia.com)

Manufactured from seamless copper tube

conforming to BS EN 12449:2012

Electro tin-plated conforming to BS EN 1872:1984



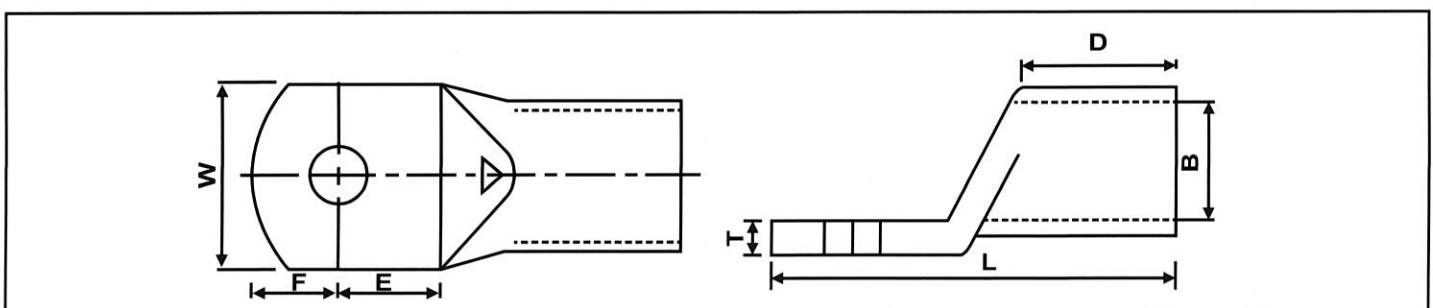
Finish

Terminal Selection Chart

Cond. Size	Barrel I.D. 'B'	Stud Hole Center 'E'	Stud Hole Center To End of Palm 'F'	Palm Width 'W'	Barrel Length 'D'	Total Length 'L'	Thickness 'T'	Part No.
1.5	1.90	4.50	4.50	7.00	7.00	18.00	1.90	BCT-SE-1.5-3
1.5	1.90	7.50	4.50	7.00	7.00	21.00	1.90	BCT-SE-1.5-4
1.5	1.90	7.50	4.50	8.00	7.00	21.00	1.90	BCT-SE-1.5-5
1.5	1.90	7.50	4.50	9.00	7.00	22.00	1.90	BCT-SE-1.5-6
2.5	2.40	4.00	4.50	7.00	8.00	18.50	1.50	BCT-SE-2.5-3
2.5	2.40	7.50	4.50	7.00	8.00	22.00	1.50	BCT-SE-2.5-4
2.5	2.40	7.50	4.50	9.00	8.00	22.00	1.50	BCT-SE-2.5-5
2.5	2.40	7.50	5.50	9.50	8.00	23.00	1.50	BCT-SE-2.5-6
2.5	2.40	7.50	7.50	12.00	8.00	25.00	1.50	BCT-SE-2.5-8
4	2.80	4.50	4.50	7.00	8.00	19.00	1.90	BCT-SE-4-3
4	2.80	7.50	4.50	7.00	8.00	22.00	1.90	BCT-SE-4-4
4	2.80	7.50	4.50	8.50	8.00	22.00	1.90	BCT-SE-4-5
4	2.80	7.50	5.50	10.00	8.00	23.00	1.90	BCT-SE-4-6
4	2.80	10.50	6.50	13.00	8.00	27.00	1.90	BCT-SE-4-8
4	2.80	11.50	7.50	14.00	11.00	32.00	1.90	BCT-SE-4-10

Dimensions are displayed in millimeters unless otherwise stated.

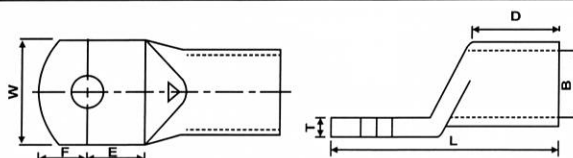
Disclaimer: The dimensions provided are for guidance only and BICC Components Ltd reserves the right to change these without prior notification.



Copper Terminal - SE

Terminal Selection Chart

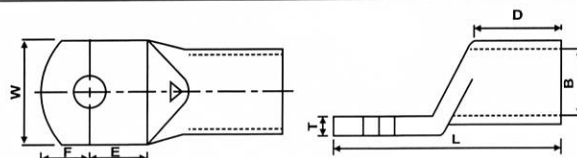
Cond. Size	Barrel I.D. 'B'	Stud Hole Center 'E'	Stud Hole Center To End of Palm 'F'	Palm Width 'W'	Barrel Length 'D'	Total Length 'L'	Thickness 'T'	Part No.
6	3.40	7.50	4.50	7.50	8.50	23.50	1.90	BCT-SE-6-4
6	3.40	7.50	4.50	8.50	8.50	23.50	1.90	BCT-SE-6-5
6	3.40	7.50	5.50	9.50	9.00	25.00	1.90	BCT-SE-6-6
6	3.40	10.00	7.00	12.00	9.00	29.00	1.90	BCT-SE-6-8
6	3.40	12.00	8.00	15.00	11.00	34.00	1.90	BCT-SE-6-10
10	4.70	6.40	6.00	10.00	8.00	24.50	1.70	BCT-SE-10-6
10	4.70	8.00	7.00	13.00	9.50	30.50	1.20	BCT-SE-10-8
10	4.40	12.00	10.00	16.00	12.00	39.50	1.40	BCT-SE-10-10
10	4.40	12.00	10.00	18.00	10.00	10.50	1.20	BCT-SE-10-12
16	5.50	8.80	6.20	10.80	9.50	30.00	2.00	BCT-SE-16-6
16	5.50	8.80	6.20	13.50	9.50	30.00	1.60	BCT-SE-16-8
16	5.50	10.90	9.60	15.00	9.50	36.00	1.50	BCT-SE-16-10
16	5.60	12.00	10.00	18.00	11.50	42.00	1.30	BCT-SE-16-12
25	7.00	8.80	6.50	13.80	12.00	32.50	2.40	BCT-SE-25-6
25	7.00	8.00	7.00	13.80	12.00	32.50	2.40	BCT-SE-25-8
25	7.00	10.90	9.60	16.00	13.00	39.50	2.10	BCT-SE-25-10
25	7.00	10.50	10.00	18.00	12.50	39.00	1.70	BCT-SE-25-12
35	8.20	8.70	6.30	15.30	15.00	36.50	2.40	BCT-SE-35-6
35	8.20	7.60	7.30	15.30	15.00	36.50	2.40	BCT-SE-35-8
35	8.20	10.90	9.60	15.30	15.00	41.00	2.40	BCT-SE-35-10
35	8.20	10.00	10.40	18.00	15.00	41.00	2.40	BCT-SE-35-12
50	9.50	8.80	6.20	17.40	14.90	37.50	2.50	BCT-SE-50-6
50	9.50	8.00	7.00	17.40	14.90	37.50	2.50	BCT-SE-50-8
50	9.50	10.90	9.60	17.40	15.50	42.50	2.50	BCT-SE-50-10
50	9.50	10.70	9.80	17.40	15.50	42.50	2.50	BCT-SE-50-12
70	11.50	9.00	6.40	20.90	17.00	41.50	3.00	BCT-SE-70-6
70	11.50	8.60	6.40	20.90	17.00	40.50	3.00	BCT-SE-70-8
70	11.50	10.90	9.60	20.90	17.50	47.00	3.00	BCT-SE-70-10
70	11.50	10.70	9.80	20.90	17.50	46.50	3.00	BCT-SE-70-12
70	11.50	13.00	13.00	20.90	17.00	51.00	3.00	BCT-SE-70-16
95	13.50	10.00	9.20	24.40	19.00	50.00	3.20	BCT-SE-95-6
95	13.50	10.10	9.90	24.40	19.00	50.00	3.20	BCT-SE-95-8
95	13.50	10.90	9.60	24.40	19.00	50.00	3.20	BCT-SE-95-10
95	13.50	10.50	10.00	24.40	19.00	50.00	3.20	BCT-SE-95-12
95	13.50	13.00	13.00	24.40	19.00	58.00	3.20	BCT-SE-95-14
95	13.50	13.00	13.00	24.40	19.00	59.00	3.20	BCT-SE-95-16



Copper Terminal - SE

Terminal Selection Chart

Cond. Size	Barrel I.D. 'B'	Stud Hole Center 'E'	Stud Hole Center To End of Palm 'F'	Palm Width 'W'	Barrel Length 'D'	Total Length 'L'	Thickness 'T'	Part No.
120	15.00	14.40	9.60	27.30	20.00	55.50	4.00	BCT-SE-120-8
120	15.00	14.40	9.60	27.30	20.00	55.50	4.00	BCT-SE-120-10
120	15.00	14.00	10.00	27.30	20.00	56.50	4.00	BCT-SE-120-12
120	15.00	14.00	14.00	27.30	20.00	64.00	4.00	BCT-SE-120-16
150	16.50	14.00	10.00	30.20	23.00	61.00	4.50	BCT-SE-150-10
150	16.50	13.00	13.00	30.20	23.00	61.00	4.50	BCT-SE-150-12
150	16.50	13.00	13.00	30.20	23.00	61.00	4.50	BCT-SE-150-14
150	16.50	13.00	13.00	30.20	23.00	65.00	4.50	BCT-SE-150-16
185	18.50	14.80	9.20	33.30	29.00	66.50	4.36	BCT-SE-185-10
185	18.50	15.50	9.20	33.30	29.00	68.00	4.50	BCT-SE-185-12
185	18.50	15.50	9.20	33.30	29.00	67.00	4.50	BCT-SE-185-14
185	18.50	13.00	13.00	33.30	29.00	70.00	4.50	BCT-SE-185-16
240	22.50	18.00	17.00	37.70	39.00	96.50	5.00	BCT-SE-240-10
240	22.50	18.00	17.00	37.70	40.00	96.50	5.00	BCT-SE-240-12
240	22.50	18.00	17.00	37.70	40.00	96.50	5.00	BCT-SE-240-14
240	22.50	18.00	17.00	37.70	40.00	96.50	5.00	BCT-SE-240-16
240	22.50	18.00	17.00	37.70	40.00	96.50	5.00	BCT-SE-240-20
300	24.30	18.00	17.00	41.00	37.00	100.00	5.00	BCT-SE-300-10
300	24.30	18.00	17.00	41.00	37.00	100.00	5.00	BCT-SE-300-12
300	24.30	18.00	17.00	41.00	37.00	100.00	5.00	BCT-SE-300-14
300	24.30	18.00	17.00	41.00	37.00	100.00	5.00	BCT-SE-300-16
300	24.30	18.00	17.00	41.00	37.00	100.00	5.00	BCT-SE-300-20
400	27.00	22.00	22.00	47.30	38.00	108.00	5.00	BCT-SE-400-10
400	27.00	22.00	22.00	47.30	38.00	108.00	5.00	BCT-SE-400-12
400	27.00	22.00	22.00	47.30	38.00	108.00	5.00	BCT-SE-400-14
400	27.00	22.00	22.00	47.30	38.00	108.50	5.00	BCT-SE-400-16
400	27.00	22.00	22.00	47.30	38.00	108.00	5.00	BCT-SE-400-20
500	30.00	28.00	24.00	53.00	38.00	117.00	6.90	BCT-SE-500-10
500	30.00	28.00	24.00	53.00	38.00	117.00	6.90	BCT-SE-500-12
500	30.00	28.00	24.00	53.00	38.00	117.00	6.90	BCT-SE-500-14
500	30.00	28.00	24.00	53.00	38.00	117.50	6.90	BCT-SE-500-16
500	30.00	28.00	24.00	53.00	38.00	117.00	6.90	BCT-SE-500-20
630	34.00	23.00	25.10	63.30	48.00	130.50	10.00	BCT-SE-630-16
630	34.00	23.00	25.10	63.30	48.00	130.50	10.00	BCT-SE-630-20
630	34.00	-	-	63.30	48.00	130.50	10.00	BCT-SE-630
800	38.00	-	-	70.00	65.00	172.00	11.00	BCT-SE-800



Copper Terminal – Bell Mouth Type (BM)



Copper Terminal – Bell Mouth Type (BM)

- > **Bell Mouth Entry:**
Our bell mouth range allows cable insertion to be handled efficiently for the opening of the conductor.
- > **Inspection Hole:**
The unique design of the inspection hole, helps the conductor to insert fully. The stopper at the end of the insertion allows the conductor to place itself rightly inside the surface area of the crimp.
- Application:**
- > Suitable for low & medium voltage switch gear & control panel.

Technical Specification

**Standard
Material**

IEC 61238-1 - TUV Certified (Visit Website: www.certipedia.com)

Manufactured from seamless copper tube
conforming to BS EN 12449:2012

Finish

Electro tin-plated conforming to BS EN 1872:1984

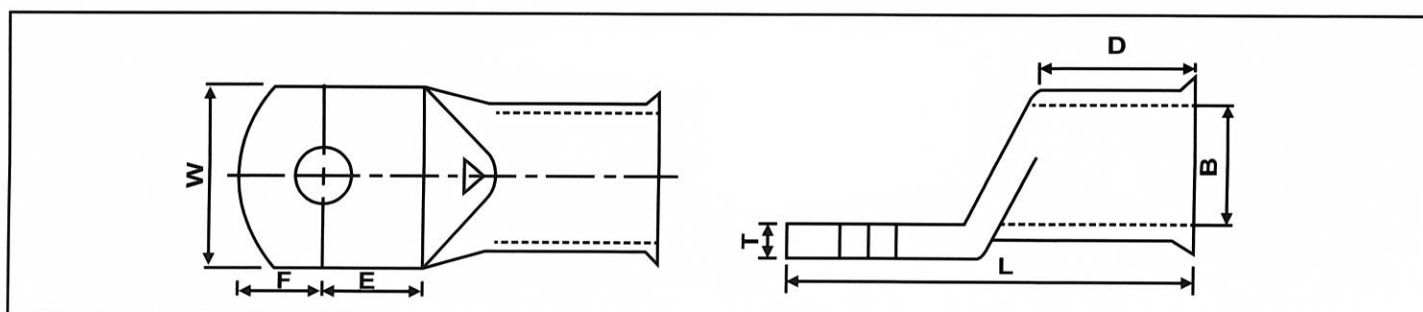


Terminal Selection Chart

Cond. Size	Barrel I.D. 'B'	Stud Hole Center 'E'	Stud Hole Center To End of Palm 'F'	Palm Width 'W'	Barrel Length 'D'	Total Length 'L'	Thickness 'T'	Part No.
1.5	1.90	4.50	4.50	7.00	7.00	18.00	1.90	BCT-BM-1.5-3
1.5	1.90	7.50	4.50	7.00	7.00	21.00	1.90	BCT-BM-1.5-4
1.5	1.90	7.50	4.50	8.00	7.00	21.00	1.90	BCT-BM-1.5-5
1.5	1.90	7.50	4.50	9.00	7.00	22.00	1.90	BCT-BM-1.5-6
2.5	2.40	4.00	4.50	7.00	8.00	18.50	1.50	BCT-BM-2.5-3
2.5	2.40	7.50	4.50	7.00	8.00	22.00	1.50	BCT-BM-2.5-4
2.5	2.40	7.50	4.50	9.00	8.00	22.00	1.50	BCT-BM-2.5-5
2.5	2.40	7.50	5.50	9.50	8.00	23.00	1.50	BCT-BM-2.5-6
2.5	2.40	7.50	7.50	12.00	8.00	25.00	1.50	BCT-BM-2.5-8
4	2.80	4.50	4.50	7.00	8.00	19.00	1.90	BCT-BM-4-3
4	2.80	7.50	4.50	7.00	8.00	22.00	1.90	BCT-BM-4-4
4	2.80	7.50	4.50	8.50	8.00	22.00	1.90	BCT-BM-4-5
4	2.80	7.50	5.50	10.00	8.00	23.00	1.90	BCT-BM-4-6
4	2.80	10.50	6.50	13.00	8.00	27.00	1.90	BCT-BM-4-8
4	2.80	11.50	7.50	14.00	11.00	32.00	1.90	BCT-BM-4-10

Dimensions are displayed in millimeters unless otherwise stated.

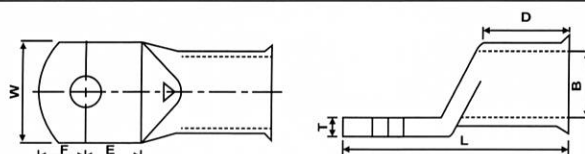
Disclaimer: The dimensions provided are for guidance only and BICC Components Ltd reserves the right to change these without prior notification.



Copper Terminal - BM

Terminal Selection Chart

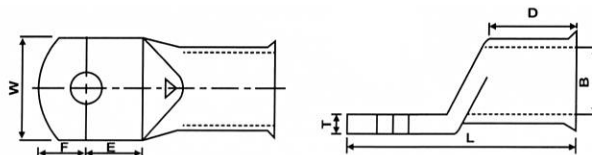
Cond. Size	Barrel I.D. 'B'	Stud Hole Center 'E'	Stud Hole Center To End of Palm 'F'	Palm Width 'W'	Barrel Length 'D'	Total Length 'L'	Thickness 'T'	Part No.
6	3.40	7.50	4.50	7.50	8.50	23.50	1.90	BCT-BM-6-4
6	3.40	7.50	4.50	8.50	8.50	23.50	1.90	BCT-BM-6-5
6	3.40	7.50	5.50	9.50	9.00	25.00	1.90	BCT-BM-6-6
6	3.40	10.00	7.00	12.00	9.00	29.00	1.90	BCT-BM-6-8
6	3.40	12.00	8.00	15.00	11.00	34.00	1.90	BCT-BM-6-10
10	4.70	6.40	6.00	10.00	8.00	24.00	1.70	BCT-BM-10-6
10	4.70	8.00	7.00	13.00	9.50	30.00	1.20	BCT-BM-10-8
10	4.40	12.00	10.00	16.00	12.00	39.00	1.40	BCT-BM-10-10
10	4.40	12.00	10.00	18.00	10.00	39.00	1.20	BCT-BM-10-12
16	5.50	8.80	6.20	10.80	9.50	30.00	2.00	BCT-BM-16-6
16	5.50	8.80	6.20	13.50	9.50	30.00	1.60	BCT-BM-16-8
16	5.50	10.90	9.60	15.00	9.50	36.00	1.50	BCT-BM-16-10
16	5.60	12.00	10.00	18.00	11.50	42.00	1.30	BCT-BM-16-12
25	7.00	8.80	6.50	13.80	12.00	32.50	2.40	BCT-BM-25-6
25	7.00	8.00	7.00	13.80	12.00	32.50	2.40	BCT-BM-25-8
25	7.00	10.90	9.60	16.00	13.00	39.50	2.10	BCT-BM-25-10
25	7.00	10.50	10.00	18.00	12.00	38.00	1.70	BCT-BM-25-12
35	8.20	8.70	6.30	15.30	14.00	36.00	2.40	BCT-BM-35-6
35	8.20	7.60	7.30	15.30	14.00	35.00	2.40	BCT-BM-35-8
35	8.20	10.90	9.60	15.30	14.00	40.50	2.40	BCT-BM-35-10
35	8.20	10.00	10.40	18.00	14.00	40.50	2.40	BCT-BM-35-12
50	9.50	8.80	6.20	17.40	14.90	37.00	2.50	BCT-BM-50-6
50	9.50	8.00	7.00	17.40	14.90	37.00	2.50	BCT-BM-50-8
50	9.50	10.90	9.60	17.40	15.50	42.50	2.50	BCT-BM-50-10
50	9.50	10.70	9.80	17.40	15.50	42.50	2.50	BCT-BM-50-12
70	11.50	9.00	6.40	20.90	17.00	41.50	3.00	BCT-BM-70-6
70	11.50	8.60	6.40	20.90	17.00	40.50	3.00	BCT-BM-70-8
70	11.50	10.90	9.60	20.90	17.00	46.00	3.00	BCT-BM-70-10
70	11.50	10.70	9.80	20.90	17.00	46.00	3.00	BCT-BM-70-12
70	11.50	13.00	13.00	20.90	17.00	51.00	3.00	BCT-BM-70-16
95	13.50	10.00	9.20	24.40	19.00	49.50	3.20	BCT-BM-95-6
95	13.50	10.10	9.90	24.40	19.00	49.50	3.20	BCT-BM-95-8
95	13.50	10.90	9.60	24.40	19.00	49.50	3.20	BCT-BM-95-10
95	13.50	10.50	10.00	24.40	19.00	49.50	3.20	BCT-BM-95-12
95	13.50	13.00	13.00	24.40	19.00	58.00	3.20	BCT-BM-95-14
95	13.50	13.00	13.00	24.40	19.00	59.00	3.20	BCT-BM-95-16



Copper Terminal - BM

Terminal Selection Chart

Cond. Size	Barrel I.D. 'B'	Stud Hole Center 'E'	Stud Hole Center To End of Palm 'F'	Palm Width 'W'	Barrel Length 'D'	Total Length 'L'	Thickness 'T'	Part No.
120	15.00	14.40	9.60	27.30	20.00	55.50	4.00	BCT-BM-120-8
120	15.00	14.40	9.60	27.30	20.00	55.50	4.00	BCT-BM-120-10
120	15.00	14.00	10.00	27.30	20.00	55.50	4.00	BCT-BM-120-12
120	15.00	14.00	14.00	27.30	20.00	64.00	4.00	BCT-BM-120-16
150	16.50	14.00	10.00	30.20	23.00	61.00	4.50	BCT-BM-150-10
150	16.50	13.00	13.00	30.20	23.00	61.00	4.50	BCT-BM-150-12
150	16.50	13.00	13.00	30.20	23.00	61.00	4.50	BCT-BM-150-14
150	16.50	13.00	13.00	30.20	23.00	65.00	4.50	BCT-BM-150-16
185	18.50	14.80	9.20	33.30	29.00	66.50	4.36	BCT-BM-185-10
185	18.50	15.50	9.20	33.30	29.00	68.00	4.50	BCT-BM-185-12
185	18.50	15.50	9.20	33.30	29.00	67.00	4.50	BCT-BM-185-14
185	18.50	13.00	13.00	33.30	29.00	70.00	4.50	BCT-BM-185-16
240	22.30	18.00	17.00	37.70	39.00	96.50	5.00	BCT-BM-240-10
240	22.30	18.00	17.00	37.70	40.00	96.50	5.00	BCT-BM-240-12
240	22.30	18.00	17.00	37.70	40.00	96.50	5.00	BCT-BM-240-14
240	22.30	18.00	17.00	37.70	40.00	96.50	5.00	BCT-BM-240-16
240	22.30	18.00	17.00	37.70	40.00	96.50	5.00	BCT-BM-240-20
300	24.30	18.00	17.00	41.00	37.00	100.00	5.00	BCT-BM-300-10
300	24.30	18.00	17.00	41.00	37.00	100.00	5.00	BCT-BM-300-12
300	24.30	18.00	17.00	41.00	37.00	100.00	5.00	BCT-BM-300-14
300	24.30	18.00	17.00	41.00	37.00	100.00	5.00	BCT-BM-300-16
300	24.30	18.00	17.00	41.00	37.00	100.00	5.00	BCT-BM-300-20
400	27.00	22.00	22.00	47.30	38.00	108.00	5.00	BCT-BM-400-10
400	27.00	22.00	22.00	47.30	38.00	108.00	5.00	BCT-BM-400-12
400	27.00	22.00	22.00	47.30	38.00	108.00	5.00	BCT-BM-400-14
400	27.00	22.00	22.00	47.30	38.00	108.00	5.00	BCT-BM-400-16
400	27.00	22.00	22.00	47.30	38.00	108.00	5.00	BCT-BM-400-20
500	30.00	28.00	24.00	53.00	38.00	117.00	6.90	BCT-BM-500-10
500	30.00	28.00	24.00	53.00	38.00	117.00	6.90	BCT-BM-500-12
500	30.00	28.00	24.00	53.00	38.00	117.00	6.90	BCT-BM-500-14
500	30.00	28.00	24.00	53.00	38.00	117.00	6.90	BCT-BM-500-16
500	30.00	28.00	24.00	53.00	38.00	117.00	6.90	BCT-BM-500-20
630	34.00	23.00	25.10	63.30	48.00	129.00	10.00	BCT-BM-630-16
630	34.00	23.00	25.10	63.30	48.00	129.00	10.00	BCT-BM-630-20
630	34.00	-	-	63.30	48.00	129.00	10.00	BCT-BM-630
800	38.00	-	-	70.00	65.00	172.00	11.00	BCT-BM-800



Insulated Pin Type Copper Connectors



Insulated Pin Type Terminal

Most comprehensive range of terminals.

> Suitable to be used with most crimping tools.

Technical Specification

Material
Finish
Cable Type
Continuous Operating Temperature

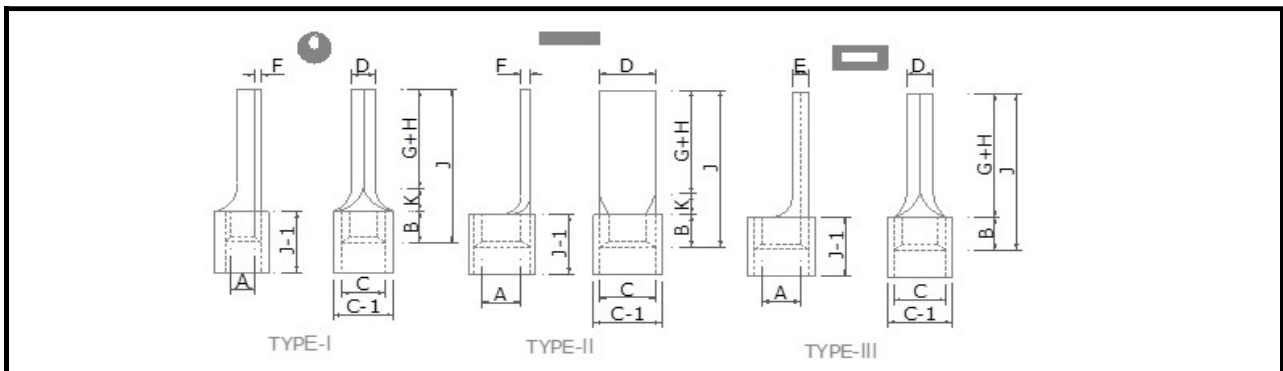
Copper
Electro Tinned Plated to BS EN 1872:1984
Low Voltage
-20°C to 80°C

Selection Table

Item Code	Area mm ²	A	C	D	F	E	B	G+H	J	C-1	J-1	Type
BIPI-0(1)	1	1.2	2	1.7	0.8	-	5	10	17	4.6	10	I
BIPI-45(1)	1	1.2	2	3.1	0.6	-	4	12	16	4	21	II
BIPI-17	1.5	1.6	3.2	1	0.8	-	5	10	17	4	10	I
BIPI-10	1.5	1.6	3.2	3.1	0.8	-	5	10	17	4	10	II
BIPI-30	1.5	1.5	3.2	1.7	0.8	-	5	12	17	1	10	I
BIPI-42	1.5	1	3.3	1.5	0.75	-	5	15	22	1	0	I
BIPI-51	1.5	1.5	3.2	1.7	0.8	-	5	15	22	1	10	I
BIPI-18	2.5	2	3	1	0.8	-	6	10	17	5.5	10	I
BIPI-19	2.5	2	3	2.1	0.8	-	6	10	17	5.5	10	II
BIPI-20	4	2	4	2.7	1.0	-	6	10	20	7.1	16	I
BIPI-21	4	2	5	5.1	1.0	-	6	10	20	7.1	14	II
BIPI-22	6	1	5	2.7	1.0	-	6	10	20	7.1	14	I
BIPI-23	6	2	6	2.7	1.0	-	6	10	20	7.9	14	I
BIPI-24	10	4	6.7	4.3	1.1	2.4	8	12	22	7.9	15	III
BIPI-25	10	3	5.2	5.5	1.2	2.6	10	13	26	10	20	III

Dimensions displayed are in millimeters unless otherwise stated

Disclaimer: The dimensions provided are for guidance only and BICC Components Ltd reserve the right to change these without prior notification.



Pre-Insulated Copper Connectors



Rectangular Fork Type Terminals

Most comprehensive range of terminals.

- > The PVC sleeve is tapered internally to allow ease of entry for the cable conductors.
- > Suitable to be used with most pre-insulated crimping tools.

Technical Specification

Material
 Finish
 Cable Type
 Colour Code - PVC Insulated Sleeve

Copper
 Electro Tinned Plated to BS EN 1872:1984
 Low Voltage
 1mm² - 1.5mm² **Red**
 2.5mm² **Blue**
 4-6mm² **Yellow**
 10mm² **Black**
 -20°C to 80°C

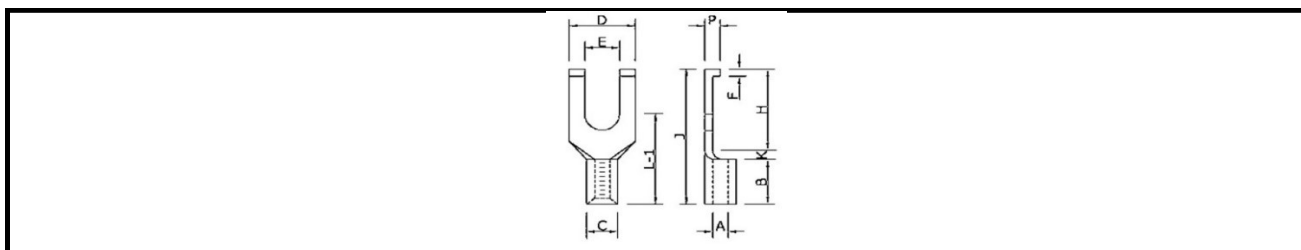
Continuous Operating Temperature

Selection Table

Item Code	Area mm ²	E	A	C	D	F	B	K	H	J	C-1	J-1	L-3
BIFI 7925	1.0	3.5	1.2	2.8	7.0	0.8	5.0	2.0	3.0	13.0	4.8	10.0	---
BIFI 7926	1.5	5.1	1.6	3.2	8.0	0.8	5.0	2.0	10.0	21.0	4.8	10.0	27.0
BIFI 7927	1.5	3.5	1.6	3.2	6.8	0.8	4.0	---	4.8	13.0	4.8	10.0	20.8
BIFI 7928	1.5	3.0	2.0	2.8	6.2	0.4	5.0	2.4	3.1	13.0	4.8	10.0	20.5
BIFI 7929	2.5	3.5	2.3	3.9	6.5	0.8	5.0	2.5	4.3	15.0	5.5	10.0	21.8
BIFI 7930	2.5	5.0	2.6	4.6	10.6	1.6	6.2	---	6.2	21.0	5.5	10.0	20.0
BIFI 7931	4-6	3.1	3.5	5.5	6.0	1.0	6.0	---	5.5	15.0	7.1	14.0	27.5
BIFI 7932	4-6	3.5	3.5	5.5	6.0	1.0	6.0	---	5.0	15.0	7.1	14.0	27.0
BIFI 7933	10.0	6.5	4.5	6.9	16.0	1.2	8.0	---	11.0	27.0	7.9	16.0	35.0
BIFI 7934	10.0	8.2	4.5	6.9	16.0	1.2	8.0	---	11.0	27.0	7.9	16.0	35.0

Dimensions displayed are in millimeters unless otherwise stated

Disclaimer: The dimensions provided are for guidance only and BICC Components Ltd reserve the right to change these without prior notification.



Pre-Insulated Copper Connectors



Ring Type Terminals

Most comprehensive range of terminals.

- > The PVC sleeve is tapered internally to allow ease of entry for the cable conductors.
- > Suitable to be used with most pre-insulated crimping tools.

Technical Specification

Material
Finish
Cable Type
Colour Code - PVC Insulated Sleeve
Continuous Operating Temperature

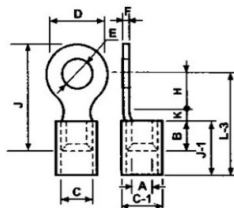
Copper
Electro Tinned Plated to BS EN 1872:1984
Low Voltage
4mm² - 6mm² - (Yellow)
-20°C to 80°C

Selection Table

Cat No.	Area mm ²	E	A	C	D	F	B	K	H	J	J-1	L-3	C-1
BIR - 7155	4-6	4.2	3.5	5.5	8	1.0	6	2	5	17	14	21	7.1
BIR - 7150	4-6	5.2	3.5	5.5	8	1.0	6	2	5	17	14	21	7.1
BIR - 7016	4-6	5.2	3.5	5.5	10	1.0	6	3	5.0	19.0	14	22.0	7.1
BIR - 7017	4-6	5.2	3.5	5.5	8	1.0	6	3	9.0	22.0	14	26.0	7.1
BIR - 7018	4-6	6.4	3.5	5.5	12	1.0	6	2	6.0	20.0	14	22.0	7.1
BIR - 7019	4-6	8.2	3.5	5.5	12	1.0	6	2	6.0	20.0	14	22.0	7.1
BIR - 7115	4-6	6.4	3.5	5.5	12	1.0	6	3	7.0	22.0	14	24.0	7.1
BIR - 7020	4-6	6.4	3.5	5.5	14	1.0	6	2	10.5	25.5	14	26.5	7.1
BIR - 7116	4-6	8.2	3.5	5.5	14	1.0	6	2	10.5	25.5	14	26.5	7.1
BIR - 7023	4-6	8.2	3.5	5.5	16	1.0	6	3	13.0	30.0	14	30.0	7.1
BIR - 7024	4-6	10.2	3.5	5.5	18	1.0	6	3	12.0	30.0	14	29.0	7.1
BIR - 7026	4-6	12.7	3.5	5.5	18	1.0	6	3	12.0	30.0	14	29.0	7.1

Dimensions displayed are in millimeters unless otherwise stated

Disclaimer: The dimensions provided are for guidance only and BICC Components Ltd reserve the right to change these without prior notification.



Pre-Insulated Copper Connectors



Ring Type Terminals

Most comprehensive range of terminals.

- > The PVC sleeve is tapered internally to allow ease of entry for the cable conductors.
- > Suitable to be used with most pre-insulated crimping tools.

Technical Specification

Material
Finish
Cable Type
Colour Code - PVC Insulated Sleeve

Copper
Electro Tinned Plated to BS EN 1872:1984
Low Voltage
1.5mm² - **(Red)**
2.5mm² - **(Blue)**
-20°C to 80°C

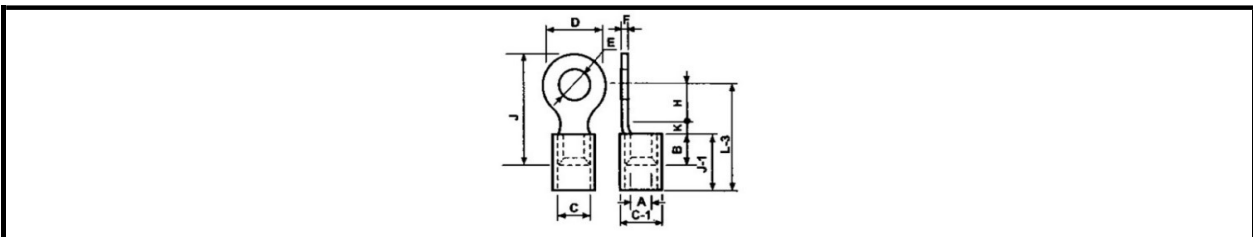
Continuous Operating Temperature

Selection Table

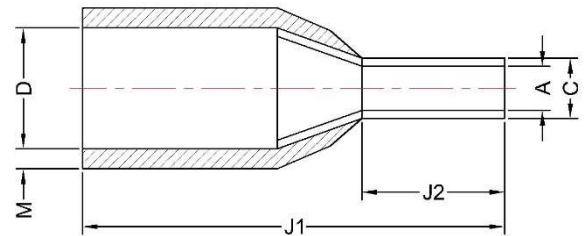
Cat No.	Area mm ²	E	A	C	D	F	B	K	H	J	J-1	L-3	C-1
BIR-7001	1.5	2.6	1.6	3.2	6	0.8	5	2	4	14	10	16	4.8
BIR-7002	1.5	3.2	1.6	3.2	6	0.8	5	2	4	14	10	16	4.8
BIR-7003	1.5	3.7	1.6	3.2	6	0.8	5	2	4	14	10	16	4.8
BIR-7048	1.5	4.2	1.6	3.2	6	0.8	5	2	4	14	10	16	4.8
BIR-7049	1.5	3.7	1.6	3.2	6.8	0.8	5	1	3.6	13	10	14.6	4.8
BIR-7004	1.5	4.2	1.6	3.2	6.8	0.8	5	1	3.6	13	10	14.6	4.8
BIR-7005	1.5	4.2	1.6	3.2	8	0.8	5	2	5	16	10	17	4.8
BIR-7154	1.5	5.2	1.6	3.2	8	0.8	5	2	5	16	10	17	4.8
BIR-7006	1.5	4.2	1.6	3.2	7	0.8	5	1	5	14.5	10	16	4.8
BIR-7007	1.5	5.2	1.6	3.2	10	0.8	5	2	6	18	10	18	4.8
BIR-7106	1.5	6.4	1.6	3.2	10	0.8	5	2	6	18	10	18	4.8
BIR-7158	1.5	6.4	1.6	3.2	12	0.8	5	1	6	18	10	17	4.8
BIR-7107	2.5	3.2	2.3	3.9	6.5	0.8	5	1	3.5	12.7	10	14.5	5.5
BIR-7008	2.5	3.7	2.3	3.9	6.5	0.8	5	1	3.5	12.7	10	14.5	5.5
BIR-7108	2.5	3.7	2.3	3.9	8	0.8	5	2	5	16	10	17	5.5
BIR-7009	2.5	4.2	2.3	3.9	8	0.8	5	2	5	16	10	17	5.5
BIR-7010	2.5	5.2	2.3	3.9	8	0.8	5	2	5	16	10	17	5.5
BIR-7109	2.5	5.2	2.3	3.9	10	0.8	5	1	7	18	10	18	5.5
BIR-7011	2.5	6.4	2.3	3.9	10	0.8	5	1	7	18	10	18	5.5
BIR-7110	2.5	5.2	2.3	3.9	12	0.8	5	2	9	22	10	21	5.5
BIR-7012	2.5	6.4	2.3	3.9	12	0.8	5	2	9	22	10	21	5.5
BIR-7013	2.5	8.2	2.3	3.9	12	0.8	5	2	9	22	10	21	5.5
BIR-7014	2.5	8.2	2.3	3.9	16	0.8	5	2	10	25	10	22	5.5
BIR-7015	2.5	10.2	2.3	3.9	18	0.8	5	1	14	29	10	25	5.5

Dimensions displayed are in millimeters unless otherwise stated

Disclaimer: The dimensions provided are for guidance only and BICC Components Ltd reserve the right to change these without prior notification.

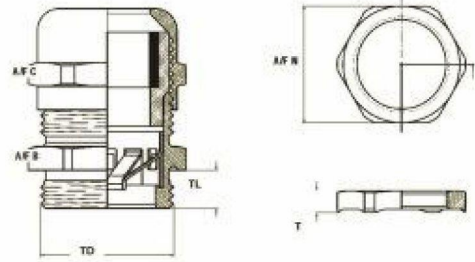


Insulated Bootless Lug



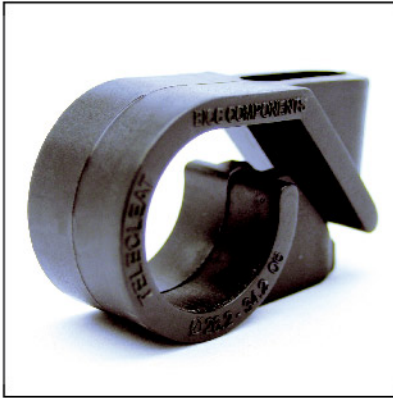
MATERIAL: - COPPER
FINISH: - ELECTRO TINNED

SR. NO.	SIZE mm ²	J1	J2	A	C	D	M	COLOUR	PRODUCT CODE
1164	0.5	12	6	1.1	1.5	2.6	0.5	WHITE	BIBL-0.5-12
1165	0.5	14	8	1.1	1.5	2.6	0.5	WHITE	BIBL-0.5-14
1166	0.5	16	10	1.1	1.5	2.6	0.5	WHITE	BIBL-0.5-16
1167	0.8	12	6	1.5	1.9	2.8	0.5	BLUE	BIBL-0.8-12
1168	0.8	14	8	1.5	1.9	2.8	0.5	BLUE	BIBL-0.8-14
1169	0.8	16	10	1.5	1.9	2.8	0.5	BLUE	BIBL-0.8-16
1170	0.8	18	12	1.5	1.9	2.8	0.5	BLUE	BIBL-0.8-18
1171	1	12	6	1.7	2.1	3.3	0.5	RED	BIBL-1.0-12
1172	1	14	8	1.7	2.1	3.3	0.5	RED	BIBL-1.0-14
1173	1	16	10	1.7	2.1	3.3	0.5	RED	BIBL-1.0-16
1174	1	18	12	1.7	2.1	3.3	0.5	RED	BIBL-1.0-18
1175	1.5	14	8	1.9	2.3	3.5	0.5	BLACK	BIBL-1.5-14
1176	1.5	16	10	1.9	2.3	3.5	0.5	BLACK	BIBL-1.5-16
1177	1.5	24	18	1.9	2.3	3.5	0.5	BLACK	BIBL-1.5-24
1178	2.5	14	8	2.4	2.8	4.2	0.5	GRAY	BIBL-2.5-14
1179	2.5	18	12	2.4	2.8	4.2	0.5	GRAY	BIBL-2.5-18
1180	2.5	24	18	2.4	2.8	4.2	0.5	GRAY	BIBL-2.5-24
1181	4	16	10	2.9	3.3	4.8	0.5	ORANGE	BIBL-4.0-16
1182	4	18	12	2.9	3.3	4.8	0.5	ORANGE	BIBL-4.0-18
1183	4	24	18	2.9	3.3	4.8	0.5	ORANGE	BIBL-4.0-24
1184	6	18	10	3.8	4.2	6.3	0.5	GREEN	BIBL-6.0-18
1185	6	20	12	3.8	4.2	6.3	0.5	GREEN	BIBL-6.0-20
1186	6	23	15	3.8	4.2	6.3	0.5	GREEN	BIBL-6.0-23
1187	6	26	18	3.8	4.2	6.3	0.5	GREEN	BIBL-6.0-26
1188	10	22	12	4.7	5.1	7.6	0.7	BROWN	BIBL-10.0-22
1189	10	25	15	4.7	5.1	7.6	0.7	BROWN	BIBL-10.0-25
1190	10	28	18	4.7	5.1	7.6	0.7	BROWN	BIBL-10.0-28
1191	16	24	12	6.0	6.4	8.8	0.7	WHITE	BIBL-16.0-24
1192	16	27	15	6.0	6.4	8.8	0.7	WHITE	BIBL-16.0-27
1193	16	30	18	6.0	6.4	8.8	0.7	WHITE	BIBL-16.0-30



SIZE	TD (mm)	TL (mm)	T (mm)	A/F N (mm)	Min. Shield Diameter (mm)	A/F B (mm)	A/F C (mm)	Clamping Range (mm)
PG7	12.3	8.3	5.2	18.0	2.5	16.0	15.7	3.0-6.5
PG9	15.1	8.3	5.5	22.0	3.0	19.0	18.8	4.0-8.0
PG11	18.3	8.9	4.9	24.0	4.0	21.9	21.3	5.0-10.0
PG13.5	20.3	9.2	5.9	25.4	5.0	22.9	23.5	6.0-12.0
PG16	22.3	10.2	5.5	30.0	8.0	25.9	25.7	10.0-14.0
PG19	23.8	10.3	5.5	29.9	9.0	26.7	26.7	10.0-15.0
PG21	28.1	9.7	5.6	36.0	11.0	32.7	33.0	13.0-18.0
PG25	29.6	11.4	6.1	36.7	14.0	34.9	34.6	15.0-22.0
PG29	36.5	12.2	6.8	45.2	16.0	41.9	41.4	18.0-25.0
PG38	46.7	16.3	7.5	58.0	24.0	52.4	51.8	25.0-32.0
PG42	53.6	14.8	7.5	63.0	27.0	59.8	61.1	30.0-38.0
PG48	69.0	18.0	14.2	75.6	30.0	72.6	72.2	34.0-44.0
PG63	75.2	33.3	13.0	85.0	43.0	80.0	81.9	44.0-50.0
3/8"NPT	16.6	14.4	5.0	23.7	2.5	18.5	18.5	3.0-8.0
1/2"NPT	20.5	12.8	6.2	26.8	4.0	23.5	23.8	5.0-12.0
3/4"NPT	26.0	15.4	6.2	32.8	8.0	32.3	32.6	10.0-18.0
1"NPT	32.8	15.0	7.0	39.8	17.0	40.9	41.8	18.0-25.0
M12*1.5	16.7	14.1	9.2	23.1	2.5	20.9	20.9	4.0-8.0
M16*1.5	20.7	14.0	10.0	27.0	3.0	23.5	23.5	5.0-10.0
M18*1.5	17.8	8.0	5.0	23.8	5.0	21.4	21.6	5.0-11.0
M20*1.5	24.8	15.0	10.5	31.7	5.0	28.8	28.4	6.0-12.0
M25*1.5	29.9	14.8	10.0	38.4	8.0	37.8	37.6	10.0-14.0
M32*1.5	36.7	16.0	11.0	43.8	11.0	40.0	40.0	13.0-18.0
M40*1.5	44.5	20.0	7.7	50.5	16.0	47.0	49.3	18.0-25.0
M50*1.5	49.5	15.0	7.5	60.3	19.0	57.6	59.9	22.0-32.0
M63*1.5	62.5	14.5	8.0	72.6	30.0	64.5	65.3	34.0-44.0

Tele Cable Cleat (Single Way)



Tele Cable Cleat (Single Way)

Single fixing cable cleats to fix power cables in indoor and outdoor applications.

- > Designed to assure cable retention and support, without causing damage or deformation to the cable.
- > Excellent resistance to ultraviolet and weather.
- > Single piece design
- > The curvature of the cleats mounting surface is appropriate for cable diameters 10mm to 51mm.

Technical Specification

Standard

Cable Type

Material

Continuous Operating Temperature

BS EN 50368

Designed for all types of cables

Low Density Polyethylene (LDPE)

-40°C to +60°C

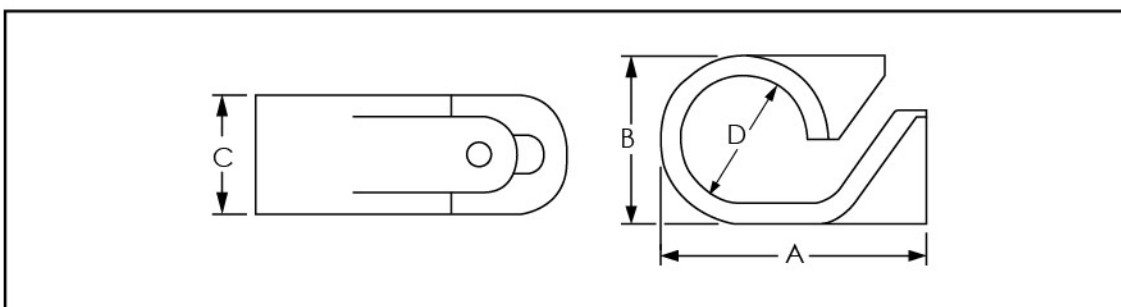
Cable Cleat Selection Table

Cable Diameter 'D'		Cleat Details				Order Reference
		B		A	C	
Min	Max	Min	Max			
10.5	14.5	15	18	32	12	TCC01
12.2	16.7	17	22	36	14	TCC02
14.6	19.8	21	26	43	16	TCC03
17.7	24.0	25	31	51	18	TCC04
21.7	28.5	30	37	57	20	TCC05
26.2	34.2	35	43	65	22	TCC06
31.9	41.6	42	52	78	25	TCC07
39.3	51.1	50	62	91	26	TCC08

Dimensions are displayed in millimeters unless otherwise stated.

Photographs are not a true representation of the product above.

Disclaimer: The dimensions provided are for guidance only and BICC Components Ltd reserves the right to change these without prior notification. For any critical application please contact the sales office to check the latest data.



LSOH Tele Cable Cleat



LSOH Tele Cable Cleat (Single Way)

Single fixing LSOH cable cleats to fix power cables in indoor and outdoor applications.

- > Designed to assure cable retention and support, without causing damage or deformation to the cable.
- > Excellent resistance to ultraviolet and weather.
- > Single piece design.
- > The curvature of the cleat mounting surface is appropriate for cable diameters 10mm to 51mm.

Technical Specification

Standard

Cable Type

Material

Continuous Operating Temperature

BS EN 50368

Designed for all types of cables

Low Smoke Zero Halogen Polymer

-40°C to +60°C

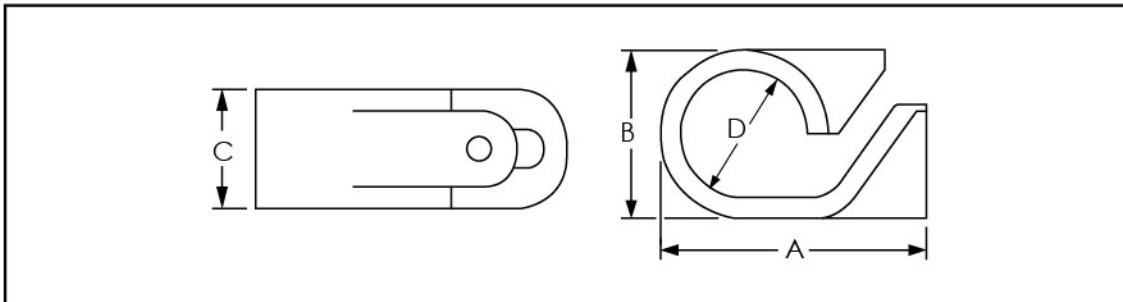
Cable Cleat Selection Table

Cable Diameter 'D'		Cleat Details				Order Reference
		B		A	C	
Min	Max	Min	Max			
10.5	14.5	15	18	32	12	TCCLSF01
12.2	16.7	17	22	36	14	TCCLSF02
14.6	19.8	21	26	43	16	TCCLSF03
17.7	24.0	25	31	51	18	TCCLSF04
21.7	28.5	30	37	57	20	TCCLSF05
26.2	34.2	35	43	65	22	TCCLSF06
31.9	41.6	42	52	78	25	TCCLSF07
39.3	51.1	50	62	91	26	TCCLSF08

Dimensions are displayed in millimeters unless otherwise stated.

Photographs are not a true representation of the product above.

Disclaimer: The dimensions provided are for guidance only and BICC Components Ltd reserves the right to change these without prior notification. For any critical application please contact the sales office to check the latest data.



Two Bolt Cable Cleat



Two Bolt Cable Cleat

Two bolt cable cleat, for use with all types of LV cables.

- > Designed to assure cable retention and support, without causing damage or deformation to the cable.
- > Excellent resistance to ultraviolet and weather.
- > Two bolt, two piece design.
- > Appropriate for cable diameters ranging from 50mm to 94mm.

Technical Specification

Standard

Cable Type

Material

Continuous Operating Temperature

BS EN 50368

Designed for all types of cables

High Density Polypropylene

-40°C to +60°C

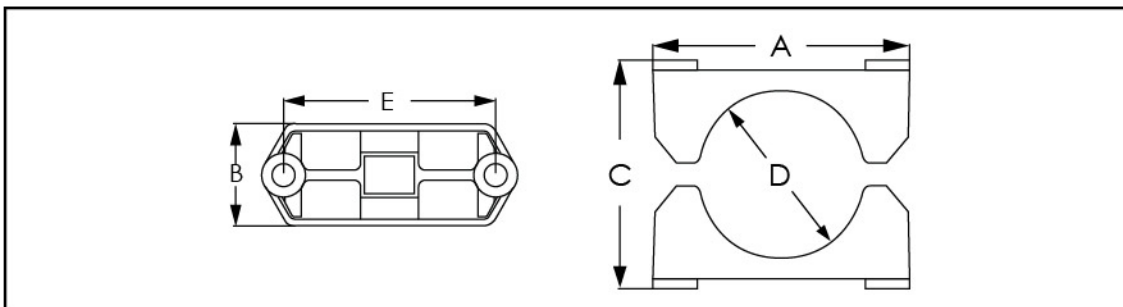
Cable Cleat Selection Table

Cable Diameter 'D'		Cleat Details				Order Reference
Min	Max	C	A	B	E	
50	58	89	102	45	80	TB01
56	64	93	102	45	80	TB02
62	70	98	114	45	92	TB03
68	76	104	114	50	92	TB04
74	82	110	126	50	104	TB05
80	88	118	126	50	104	TB06
86	94	121	136	60	114	TB07

Dimensions are displayed in millimeters unless otherwise stated.

Photographs are not a true representation of the product above.

Disclaimer: The dimensions provided are for guidance only and BICC Components Ltd reserves the right to change these without prior notification. For any critical application please contact the sales office to check the latest data.



LSOH Two Bolt Cable Cleat



LSOH Two Bolt Cable Cleat

Two bolt LSOH cable cleat, for use with LV LSOH cables.

- > Designed to assure cable retention and support, without causing damage or deformation to the cable.
- > Excellent resistance to ultraviolet and weather.
- > Two bolt, two piece design.
- > Appropriate for cable diameters ranging from 50mm to 94mm.

Technical Specification

Standard

Cable Type

Material

Continuous Operating Temperature

BS EN 50368

Designed for all types of LSOH cables

Low Smoke Zero Halogen Polymer

-40°C to +60°C

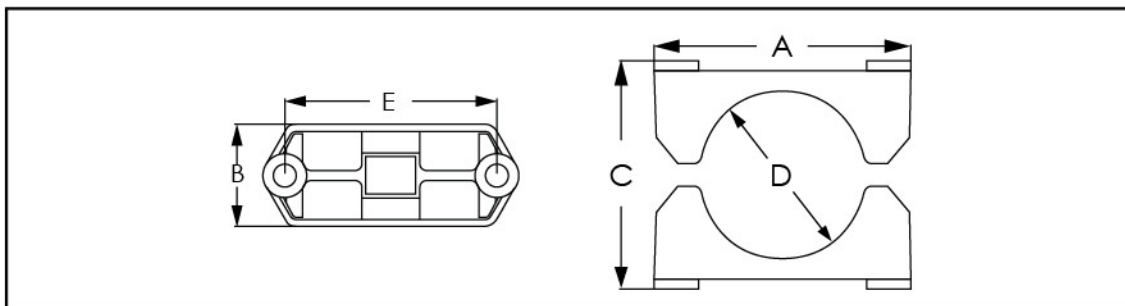
Cable Cleat Selection Table

Cable Diameter 'D'		Cleat Details				Order Reference
Min	Max	C	A	B	E	
50	58	89	102	45	80	TBLSF01
56	64	93	102	45	80	TBLSF02
62	70	98	114	45	92	TBLSF03
68	76	104	114	50	92	TBLSF04
74	82	110	126	50	104	TBLSF05
80	88	118	126	50	104	TBLSF06
86	94	121	136	60	114	TBLSF07

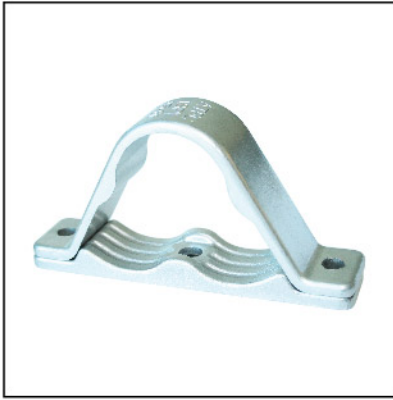
Dimensions are displayed in millimeters unless otherwise stated.

Photographs are not a true representation of the product above.

Disclaimer: The dimensions provided are for guidance only and BICC Components Ltd reserves the right to change these without prior notification. For any critical application please contact the sales office to check the latest data.



Aluminium Cable Cleat Trefoil Type ATFC (SP)



Aluminium Cable Cleat Trefoil Type ATFC (SP)

- > Suitable for use with LV, MV and HV cables.
- > Few range accommodates wide range of cable dia.
- > Operating temperature -60°C to +100°C

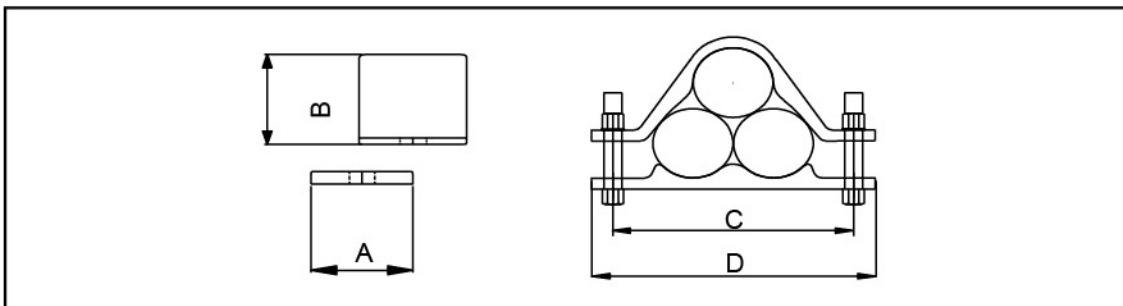
Cable Gland Selection Table

Cable Diameter	Cleat Details				Order Reference
	A	B	C	D	
15-30	30	45	108	80	ATFCSP15-30
30-45	30	66	151	120	ATFCSP30-45
45-60	40	85	184	151	ATFCSP45-60
60-75	40	114	226	193	ATFCSP60-75
75-90	40	142	267	235	ATFCSP75-90
90-107	50	171	319	282	ATFCSP90-107
107-129	57	203	390	352	ATFCSP107-129
129-155	57	244	455	397	ATFCSP129-155

Dimensions are displayed in millimeters unless otherwise stated.

Photographs are not a true representation of the product above.

Disclaimer: The dimensions provided are for guidance only and BICC Components Ltd reserves the right to change these without prior notification. For any critical application please contact the sales office to check the latest data.





Aluminium Cable Cleat (Two Bolt)

Suitable for use with cables from diameter 51mm to 114mm

- > Two piece two fixing design
- > Can be double stacked on common fixing
- > Operating temperature – 60° C to + 100° C
- > Two bolt fixing type (ATC)
- > Plain finish - for indoor dry normal industrial use or outdoor unpolluted areas. Epoxy coated for more hostile conditions.

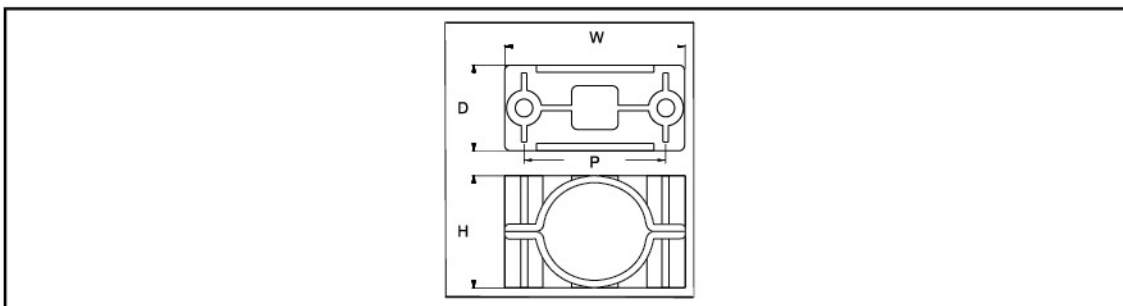
Cable Cleat Selection Table

Cable Diameter Range	Cleat Details				Fixing Hole	Order Reference
	W	H	D	P		
51-57	96	68	59	76	M10	ATC-51-57
57-64	6	75	49	76	M10	ATC-57-64
64-70	96	84	64	118	M10	ATC-64-70
70-76	134	90	64	114	M10	ATC-70-76
76-83	142	96	64	114	M12	ATC-76-83
83-89	142	102	64	114	M12	ATC-83-89
89-95	154	114	64	114	M12	ATC-89-95
95-101	154	120	76	126	M12	ATC-95-101
101-108	169	134	76	140	M12	ATC-101-108
108-114	169	140	76	149	M12	ATC-108-114

Dimensions are displayed in millimeters unless otherwise stated.

Photographs are not a true representation of the product above.

Disclaimer: The dimensions provided are for guidance only and BICC Components Ltd reserves the right to change these without prior notification. For any critical application please contact the sales office to check the latest data.



Cast Iron Cable Cleats Industrial



Cast Iron Cable Cleat Trefoil Type

- > Suitable for use with LV, MV and HV Cables
- > Hot Dip Galvanized Finish
- > Two Piece – Two Hole Fixing Design
- > Operating Temperature -40°C to 105°C
- > Can Withstand 2 Hours Excursion at 1000°C
- > Suitable For All Environments
- > Suitable for all Types of Fire Performance Cable Routes:
 BS 6387:1994, BS 5839-1:2002, BS 7346-6:2005 & BS 8491:2008

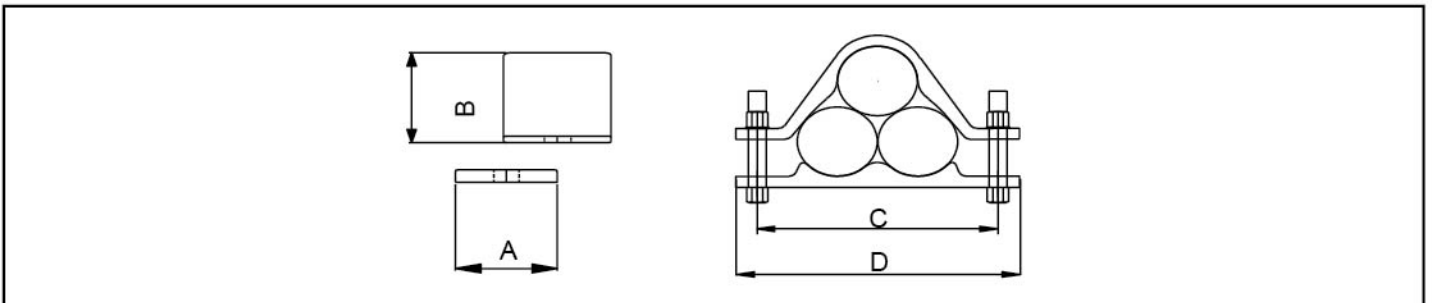
Cable Gland Selection Table

Cable Diameter	Cleat Details				Order Reference
	A	B	C	D	
15-30	30	45	108	80	CITFCSP15-30
30-45	30	66	151	120	CITFCSP30-45
45-60	40	85	184	151	CITFCSP45-60
60-75	40	114	226	193	CITFCSP60-75
75-90	40	142	267	235	CITFCSP75-90
90-107	50	171	319	282	CITFCSP90-107
107-129	57	203	390	352	CITFCSP107-129
129-155	57	244	455	397	CITFCSP129-155

Dimensions are displayed in millimeters unless otherwise stated.

Photographs are not a true representation of the product above.

Disclaimer: The dimensions provided are for guidance only and BICC Components Ltd reserves the right to change these without prior notification. For any critical application please contact the sales office to check the latest data.



Cast Iron Cable Cleats Industrial



Cast Iron Cable Cleat (2 Bolt)

Suitable for use with cables from diameter 51mm to 114mm

- > Hot Dip Galvanized Finish
- > Can Be Double Stacked
- > Two Piece – Two Hole Fixing Design
- > Operating Temperature -40°C to 105°C
- > Can Withstand 2 Hours Excursion at 1000°C
- > Suitable For All Environments
- > Suitable for all Types of Fire Performance Cable Routes:
BS 6387:1994, BS 5839-1:2002, BS 7346-6:2005 & BS 8491:2008

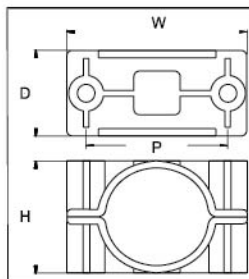
Cable Cleat Selection Table

Cable Diameter Range	Cleat Details				Fixing Hole	Order Reference
	W	H	D	P		
51-57	96	68	59	76	M10	CITC-51-57
57-64	6	75	49	76	M10	CITC-57-64
64-70	96	84	64	118	M10	CITC-64-70
70-76	134	90	64	114	M10	CITC-70-76
76-83	142	96	64	114	M12	CITC-76-83
83-89	142	102	64	114	M12	CITC-83-89
89-95	154	114	64	114	M12	CITC-89-95
95-101	154	120	76	126	M12	CITC-95-101
101-108	169	134	76	140	M12	CITC-101-108
108-114	169	140	76	149	M12	CITC-108-114

Dimensions are displayed in millimeters unless otherwise stated.

Photographs are not a true representation of the product above.

Disclaimer: The dimensions provided are for guidance only and BICC Components Ltd reserves the right to change these without prior notification. For any critical application please contact the sales office to check the latest data.



Cast Iron Claw Cleat

BICC
COMPONENTS

- Suitable for use with cable diameters 10 to 51 mm.
- Manufactured from cast iron.
- Two-piece, single fixing design.
- Can be stacked to a maximum of three on one fixing.
- Operating temperature -40°C to +120°C.
- Can be used for all types of cable routes.
- Plain finish - for normal industrial areas or outdoor unpolluted areas.
- Hot Dip Galvanized finish versions available for harsher environments.
- Packing pieces to be used where required.
- Can withstand for two hours for 1000° C
- Suitable for all Type of fire performance cable routes:
BS 6387:1994, BS 5839-1:2002, BS 7346-6:2005 & BS 8491:2008
- Complies to BS EN 61914, IEC 61914:2016
- Suitable for all environments



Technical Specification

Standard
Cable Type

Material

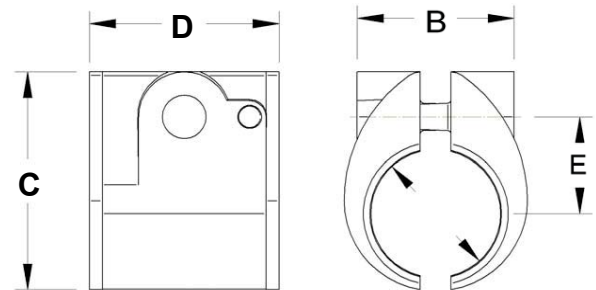
Continuous Operating Temperature

IEC 61914:2016

Designed for all types of cables

Cast Iron

-40°C to +120°C



Cable Cleat Selection Table

Design Number		Cable Diameter		Dimensions (mm)				Weight (g)	Stud Size
Standard	Galvanized	A (mm)		B	C	D	E		
		Min	Max						
CICC-10-13	CICCG-10-13	10	13	21	38	46	16	60	M10
CICC-13-16	CICCG-13-16	13	16	21	38	46	16	50	M10
CICC-16-19	CICCG-16-19	16	19	24	41	46	18	60	M10
CICC-19-22	CICCG-19-22	19	22	27	44	46	19	70	M10
CICC-22-25	CICCG-22-25	22	25	30	48	46	21	80	M10
CICC-25-32	CICCG-25-32	25	32	37	54	46	24	90	M10
CICC-32-38	CICCG-32-38	32	38	43	60	46	27	110	M10
CICC-38-44	CICCG-38-44	38	44	49	67	46	30	120	M10
CICC-44-51	CICCG-44-51	44	51	56	73	46	34	150	M10

Dimensions are displayed in millimeters unless otherwise stated

Disclaimer: The dimensions provided are for guidance only and BICC COMPONENTS Ltd reserves the right to change these without prior notification. Please contact the sales office to check the latest issue date.